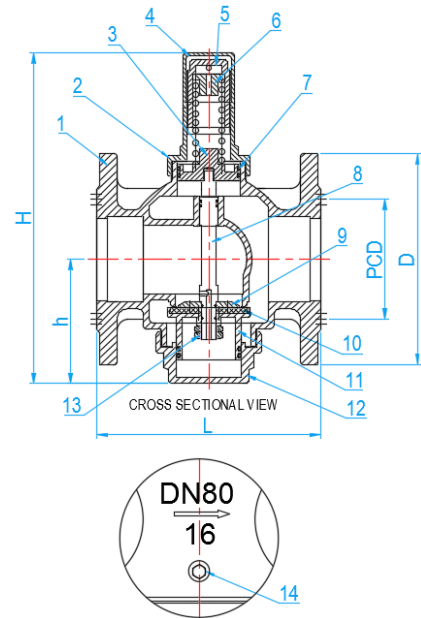
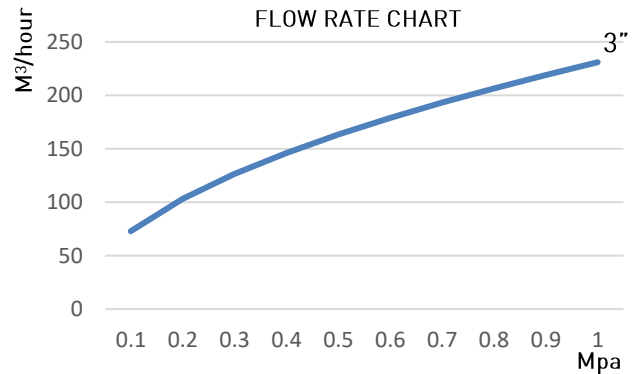


# PRESSURE REDUCING VALVE (DIRECT OPERATED) PISTON TYPE

COMPLY WITH BSEN1567-2000


**COMPONENT PARTS**

ITEM	PARTS	MATERIAL
1	Body	Brass
2	Upper Bonnet	Brass
3	Piston	Brass
4	Lock Cover	Brass
5	Adjusting Lever	Brass
6	Spring Seat	Brass
7	O Ring	EPDM
8	Valve Stem	Brass
9	Disc Flap	Brass
10	Disc	EPDM
11	Disc Holder	Brass
12	Bottom Bonnet	Brass
13	Screw Nut	Brass
14	Screw Plug	Brass
15	Pressure Gauges	1/4" brass connection


**STANDARD SPECIFICATIONS**

Nominal Pressure	0.3 to 1.6MPa
Working Medium	Water
Working Temperature	0°C ≤ t ≤ 70 °C
Outlet Pressure Adjustable Range	0.1~0.5Mpa

**DIMENSIONS**

SKU	SIZE (mm)	L (mm)	H (mm)	h (mm)	D (mm)	PCD (mm)	WEIGHT (kg)	PCS/CTN
PRVCRN080F	80	212	313	117.5	200	160	15.3	1